

DFGS SERIES

Digital Force Gauge

The CHATILLON® DFGS Series is available with an integral loadcell, dedicated remote loadcell (DFGS-R) or with an interchangeable remote loadcell (DFGS-R-ND). All models feature RS232 serial data communications and an internal sampling rate of 5000 Hz. Other features include programmable high and low setpoints, pushbutton calibration and an analog output for graphing the force curve. All gauges feature user-selectable force units (oz, lbs, g, kg, N). A large, easy-to-read LCD display indicates current and peak values, gauge settings and gauge status. A selectable auto shutoff feature helps to preserve battery life. Gauges have an accuracy of $\pm 0.15\%$ of full scale ± 1 LSC. Gauges come with accessories, battery charger and carrying case.

FEATURES

- Three Versions
 - Integral Loadcell
 - Dedicated Remote Loadcell
 - Interchangeable Remote Loadcell
- Simple Pushbutton Operation
- Rugged All-Metal Housing
- 5000Hz Sampling Rate
- RS232 Serial Data Communications
- Overload Capacity- 110% of Rated Capacity
- Hand-held or Test Stand Applications

SPECIFICATIONS

Accuracy:	$\pm 0.15\%$ of Full Scale ± 1 LSC
Selectable Units:	lb, kg, N
Overload Capacity:	110% of rated capacity
Display:	LCD, 4-1/2 characters
Sampling:	1000Hz
Outputs:	RS232, Mitutoyo, 12-Pin Hirose
Power:	AC Adapter, NiCd Battery Pack
Accessories:	Carrying Case, Attachments Extension Rod, Battery Charger
Weight:	2 lbs (0.9 kg)
Warranty:	1 Years



DFGS-R with Dedicated Remote Series Loadcell

SPECIFICATION
SS-FM-3112-0101
December 2000



Pharmaceuticals



Electronics



Medical Device

INTERNET

www.ametek.com
www.chatillon.com
www.lloyd-instruments.co.uk

AMETEK and CHATILLON are registered trademarks of AMETEK, Inc.
LLOYD INSTRUMENTS is a trademark of AMETEK, Inc.

ORDERING INFORMATION

Integral Loadcell Models

Model	Capacity
DGGS	8 oz x 0.005 oz 250 g x 0.1 g 2.5 N x 0.001 N
DFGS2	2 lb x 0.001 lb 1 kg x 0.001 kg 10 N x 0.01 N
DFGS10	10 lb x 0.005 lb 5 kg x 0.005 kg 50 N x 0.05 N
DFGS50	50 lb x 0.02 lb 25 kg x 0.01 kg 250 N x 0.1 N
DFGS100	100 lb x 0.05 lb 50 kg x 0.05 kg 500 N x 0.5 N

Dedicated Remote Loadcell Models

Model	Capacity
DGGS-R-250G	8 oz x 0.005 oz 250 g x 0.1 g 2.5 N x 0.001 N
DFGS-R-2	2 lb x 0.001 lb 1 kg x 0.001 kg 10 N x 0.01 N
DFGS-R-10	10 lb x 0.005 lb 5 kg x 0.005 kg 50 N x 0.05 N
DFGS-R-50	50 lb x 0.02 lb 25 kg x 0.01 kg 250 N x 0.1 N
DFGS-R-100	100 lb x 0.05 lb 50 kg x 0.05 kg 500 N x 0.5 N
DFGS-R-200	200 lb x 0.1 lb 100 kg x 0.1 kg 1000 N x 1 N
DFGS-R-500	500 lb x 0.2 lb 250 kg x 0.1 kg 2500 N x 1 N
DFGS-R-1000	1000 lb x 0.5 lb 500 kg x 0.5 kg 5000 N x 5 N

Interchangeable Loadcell Models

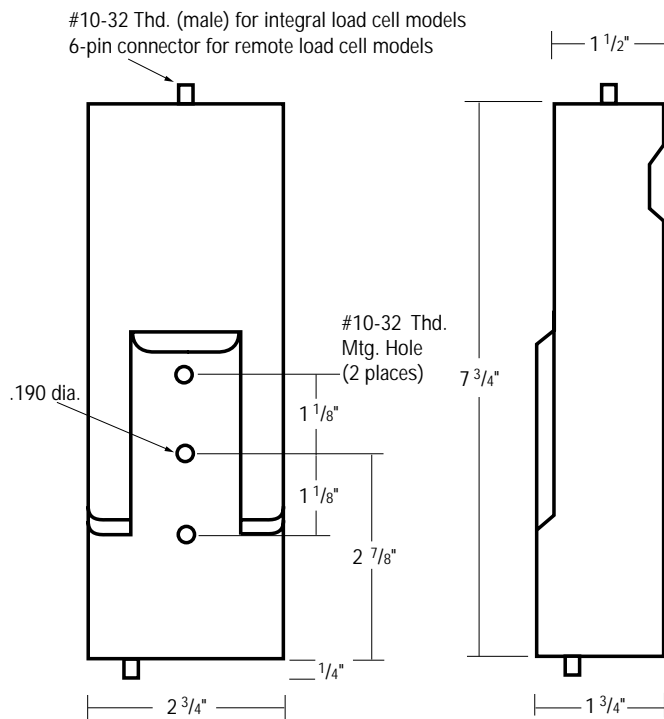
Model	Capacity
DFGS-R-ND	See Below

REMOTE Series Loadcell Models

Model	Capacity
Remote-2	2 lbs (1 kg, 10 N)
Remote-10	10 lbs (5 kg, 50 N)
Remote-50	50 lbs (20 kg, 200 N)
Remote-100	100 lbs (50 kg, 500 N)
Remote-200	200 lbs (100 kg, 1 kN)
Remote-500	500 lbs (200 kg, 2 kN)
Remote-1000	1000 lbs (500 kg, 5 kN)
Remote-2000	2000 lbs (1000 kg, 10 kN)
Remote-5000	5000 lbs (2000 kg, 20 kN)
Remote-10000	10000 lbs (5000 kg, 50 kN)

Add "-220V" after the model number if you require 220V operation, e.g. DFGS2-220V.

DIMENSIONS



STANDARD ACCESSORIES

	Part No.
Operator's Manual	SPK-DFGS-031
Carrying Case	SPK-DFGS-032
Chisel Point	SPK-FMG-008A
Point Adapter	SPK-FMG-009A
Notch Adapter	SPK-FMG-010A
Flat Adapter	SPK-FMG-011A
Hook, DGGS - DFGS10	SPK-FMG-012A
Hook, DFGS50 - DFGS100	SPK-FMG-012B
Extension Rod	SPK-FMG-013A
Battery Charger 115V	SPK-FMG-028A
Battery Charger 220V	SPK-FMG-028B

TEST STAND MOUNTING KITS

	Part No.
LTS	NC000300
LTC	NC000300
HTC	NC000225
LTCM-6	NC000300
TCM201/TCM200	NC000300
TCM/TC500	NC000626
TCM/TC1000	NC000627

Request document PS-FM-3112 for a complete Parts List.